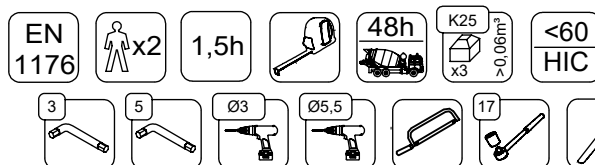
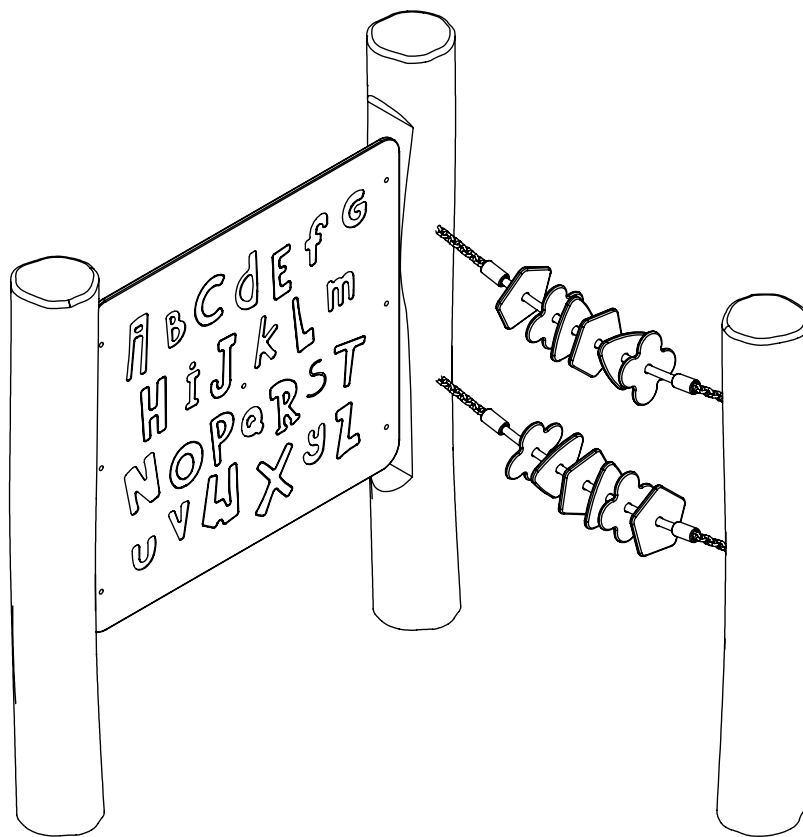
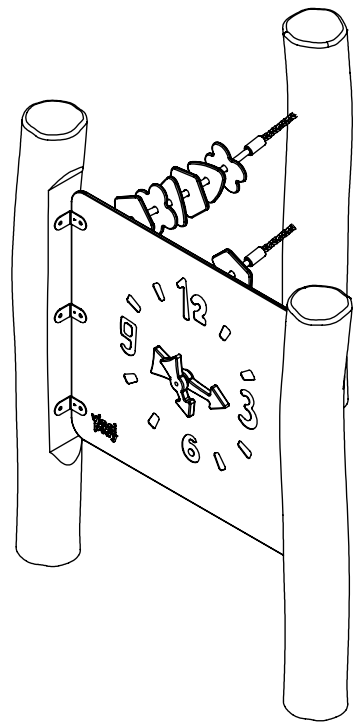
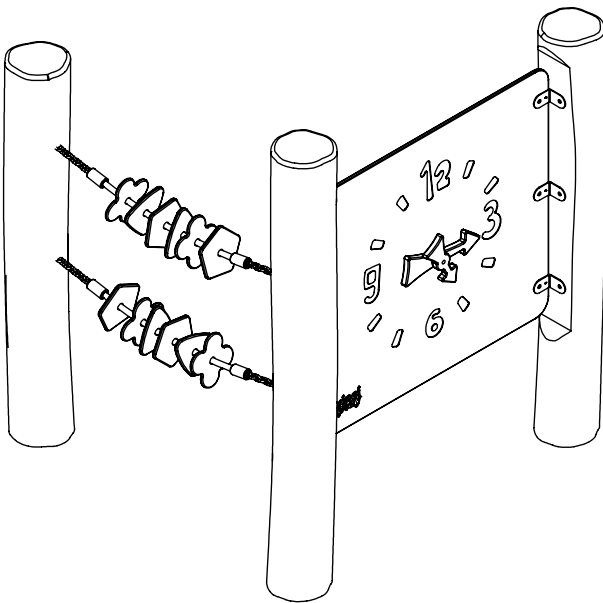
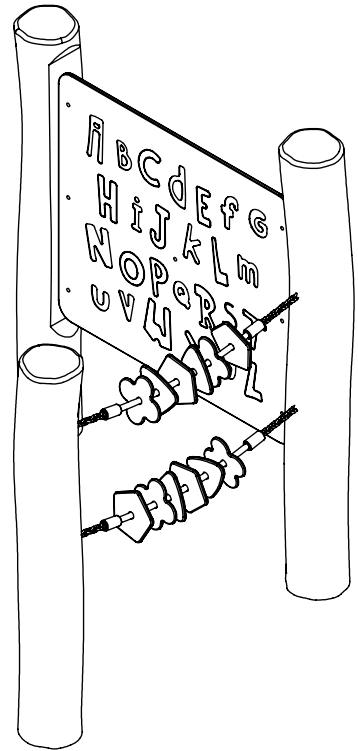
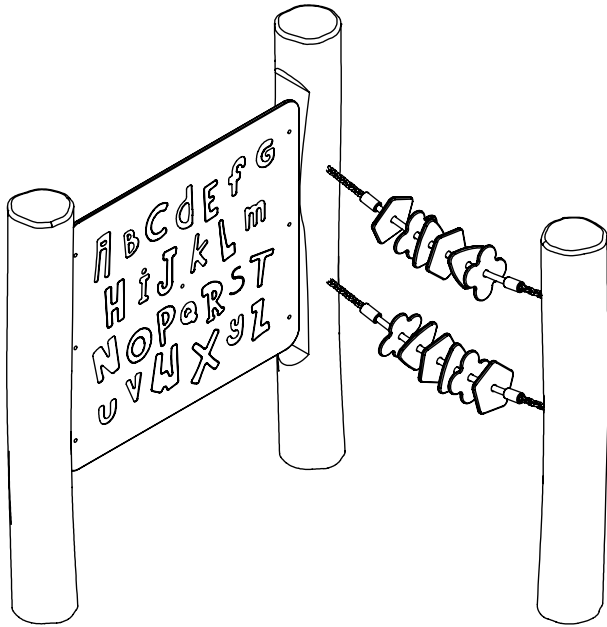


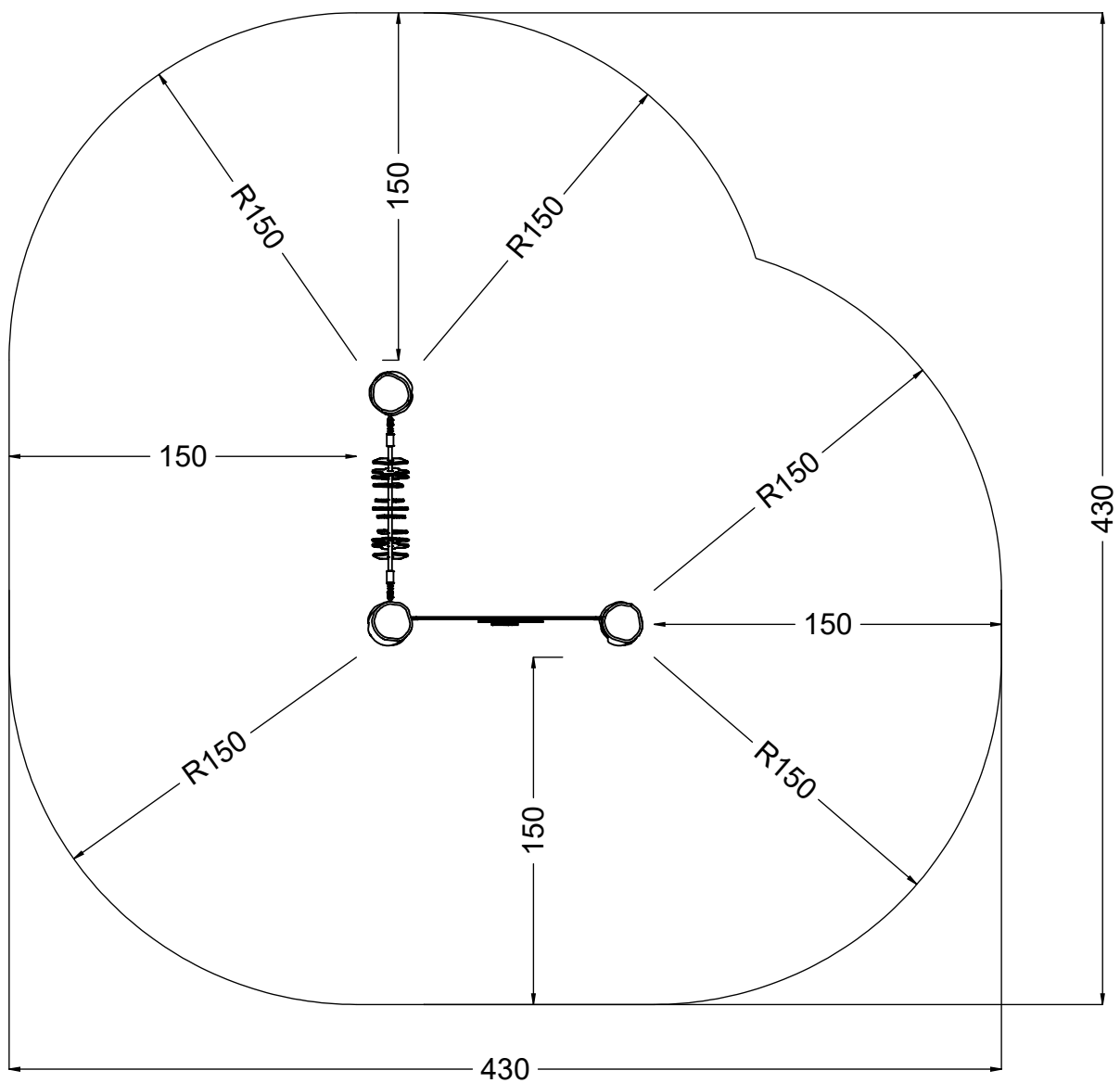
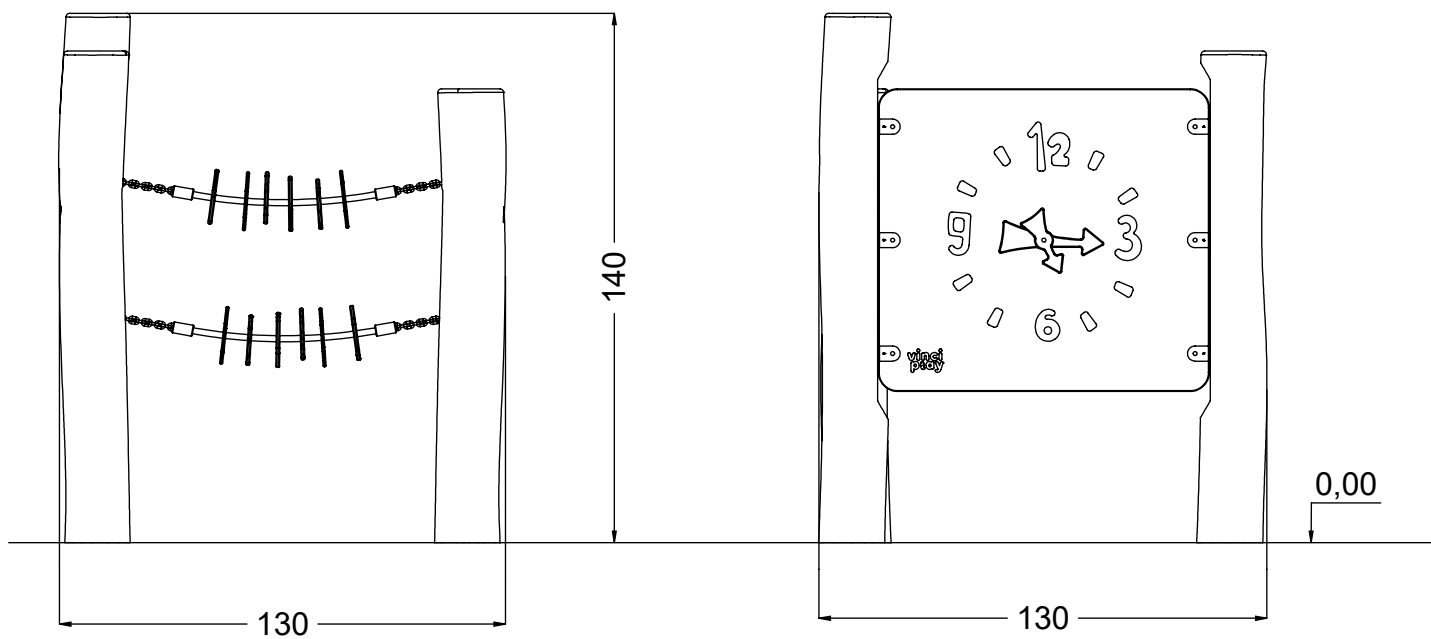
# RB1343



v010  
11.08.2022  
D. P.  
[cm]

vinci  
play

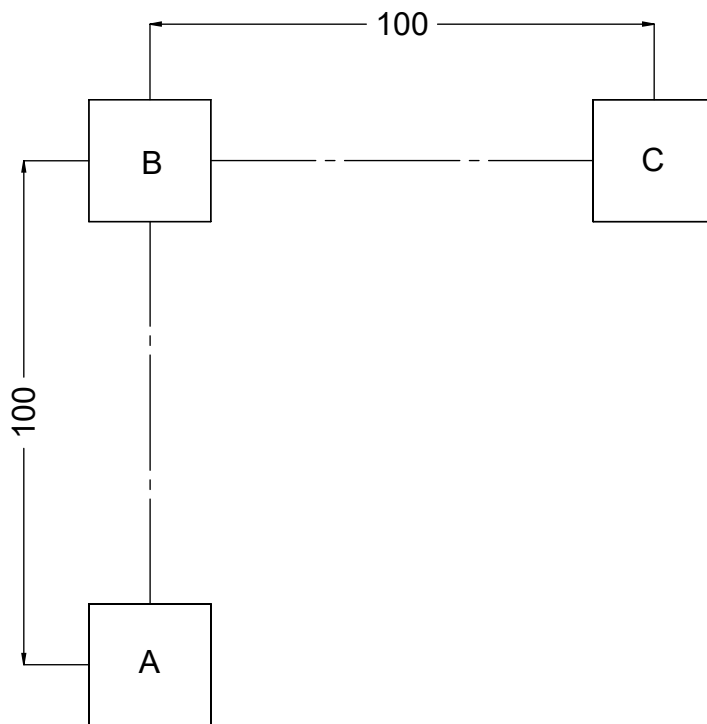
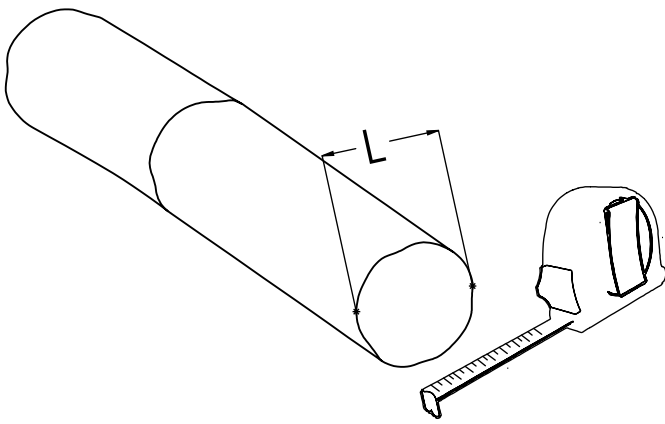
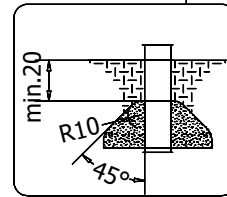
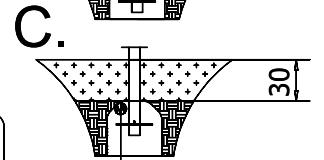
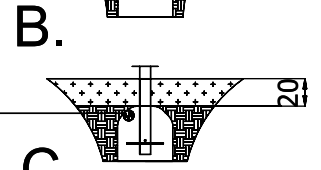
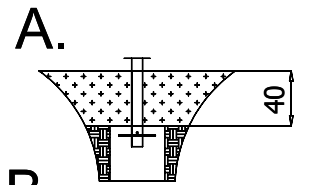
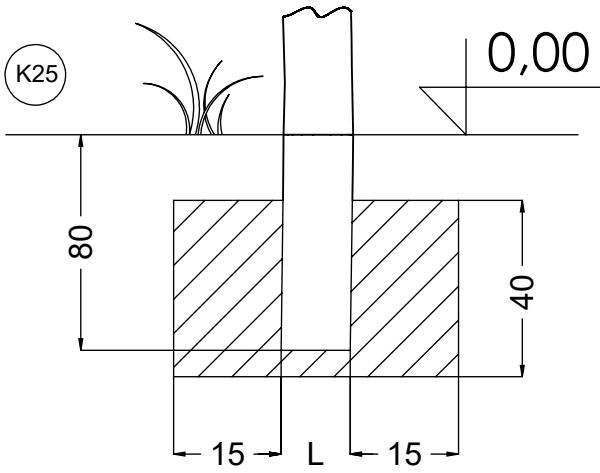




[cm]



vinci  
play



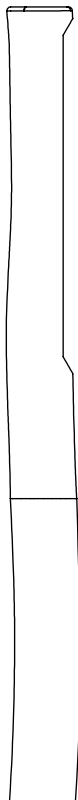
[cm]



1,5h



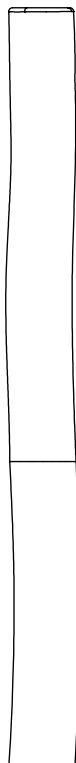
vinci  
play



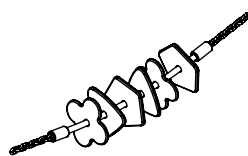
127372 (A)  
x1



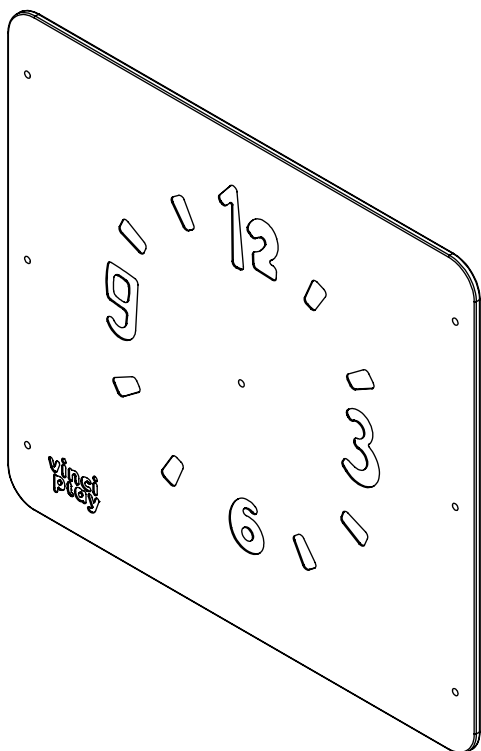
127373 (B)  
x1



127374 (C)  
x1



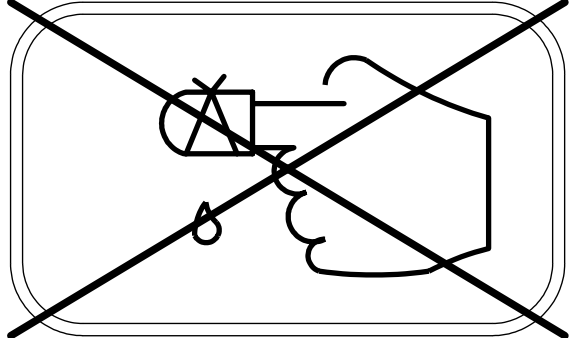
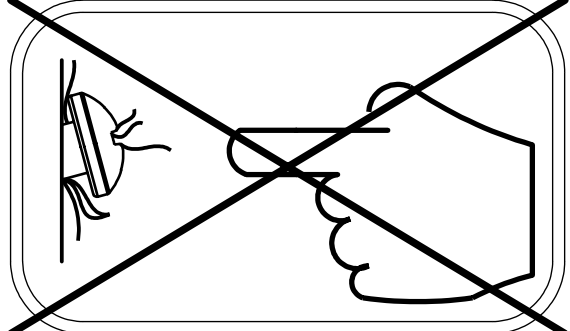
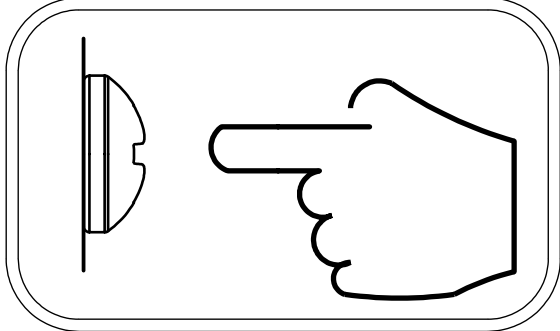
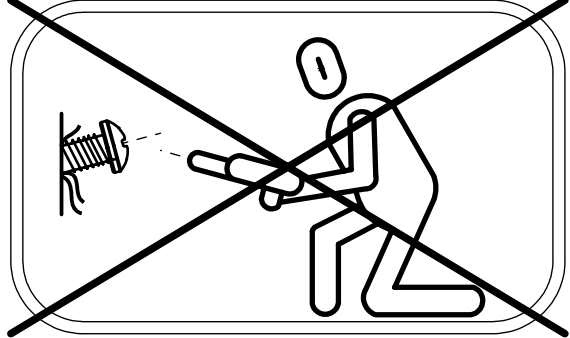
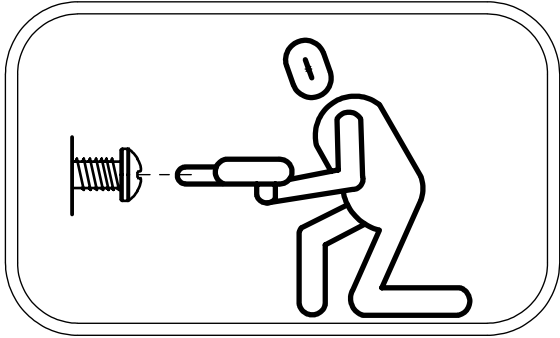
124112  
x2

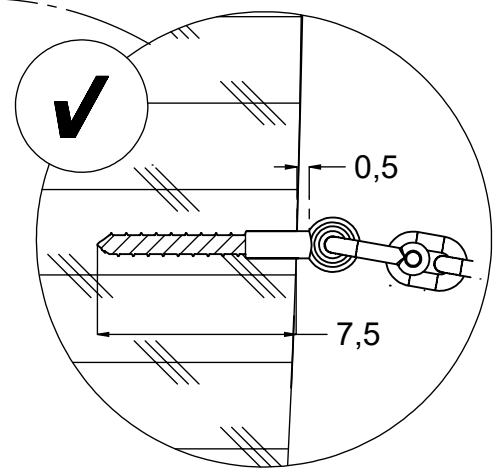
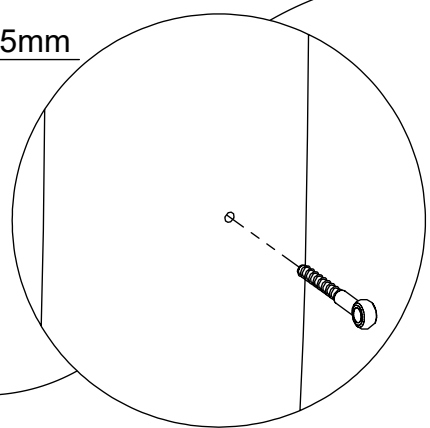
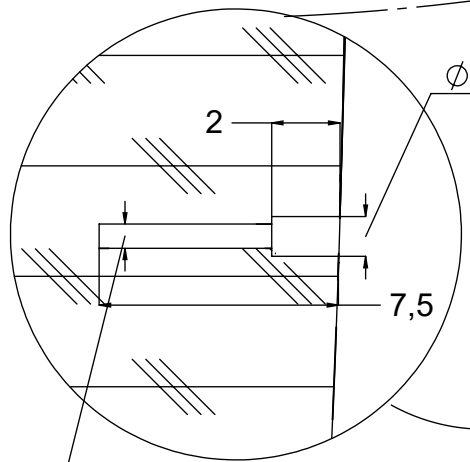
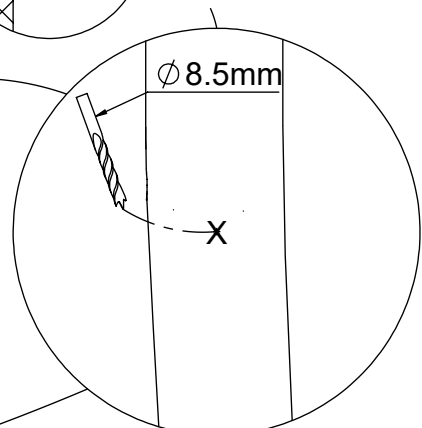
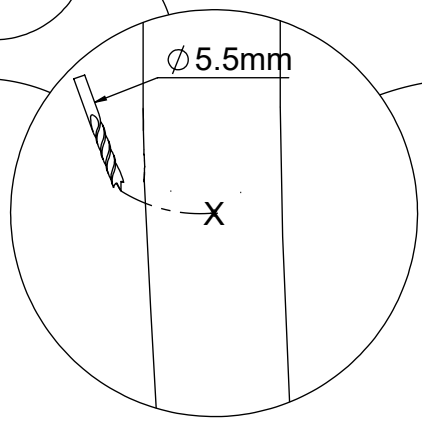
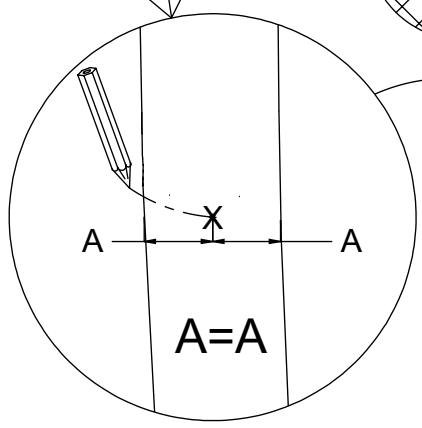
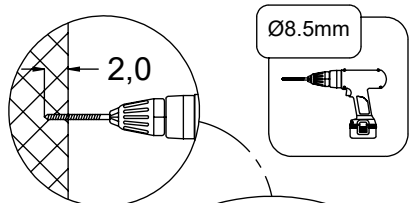
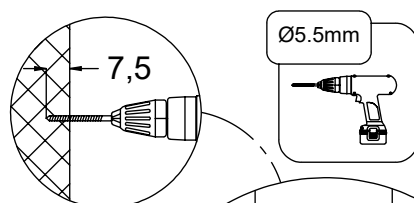
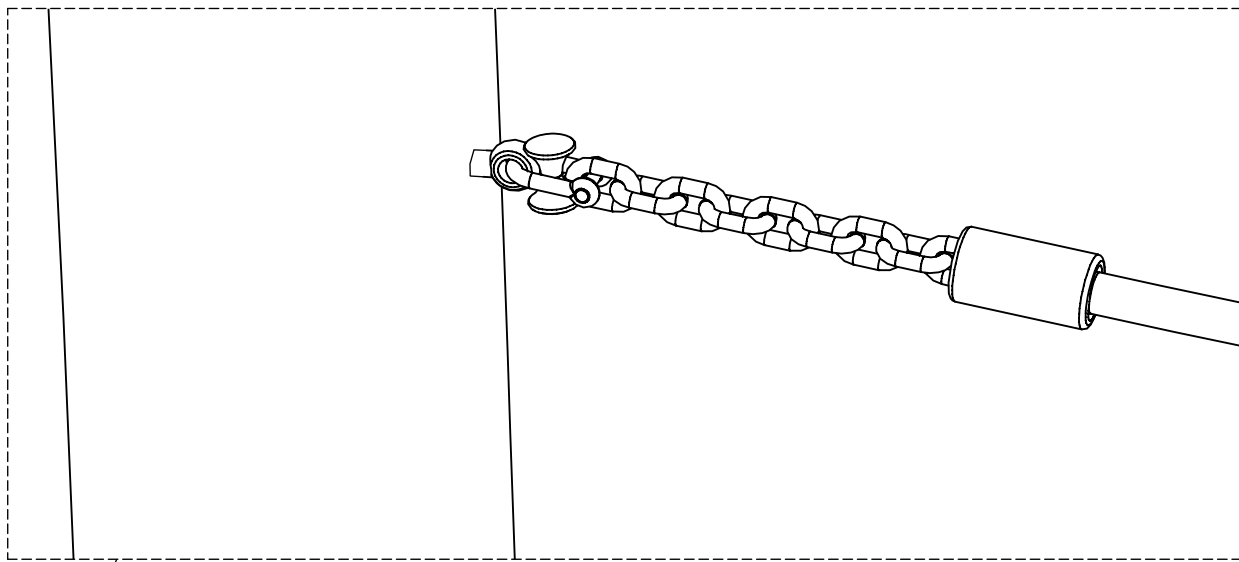


121126  
x1

6x	8x50sxi

2x	12e007
1x	12e060
1x	12e062
1x	V001





Ø 5.5 mm

Ø 8.5mm

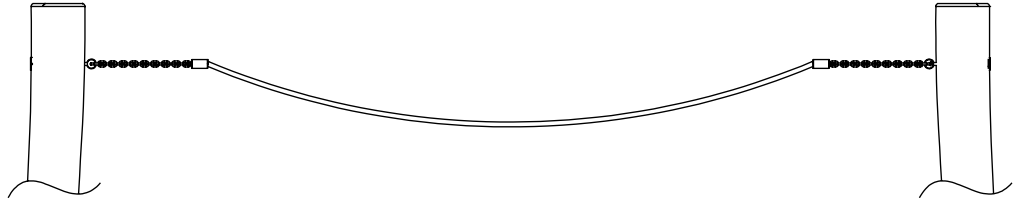
[cm]

vinci play

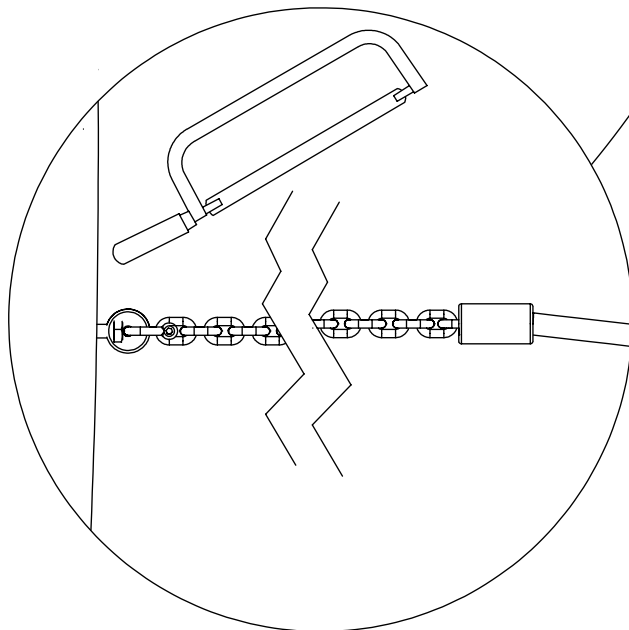
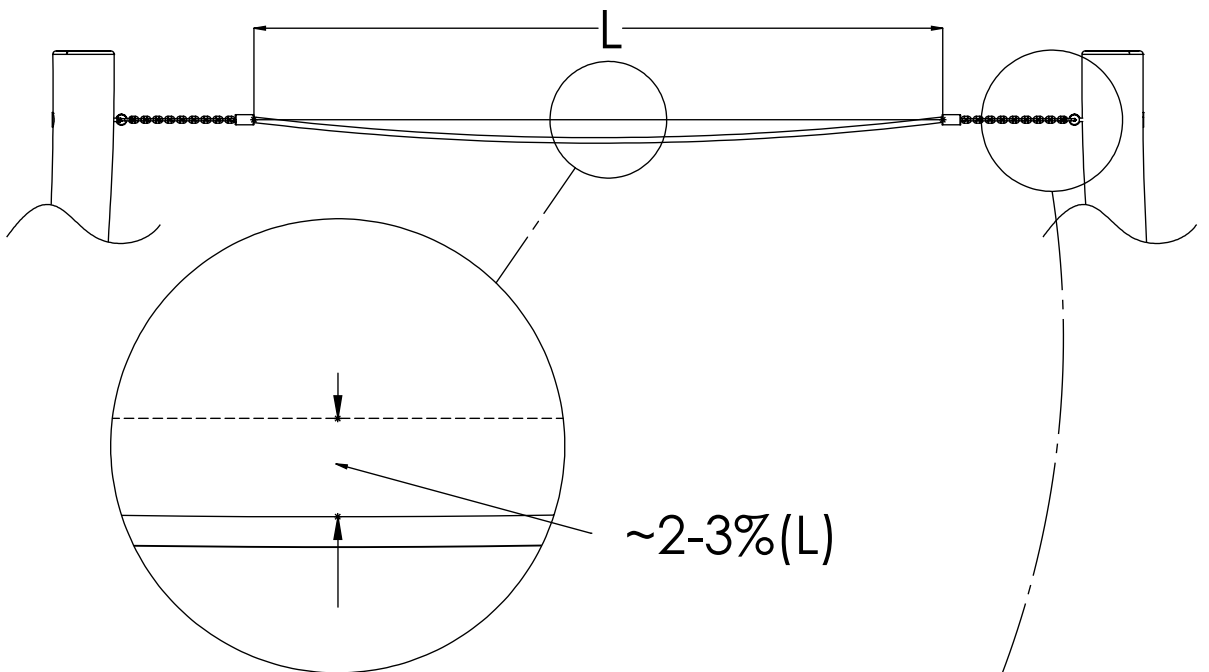
X



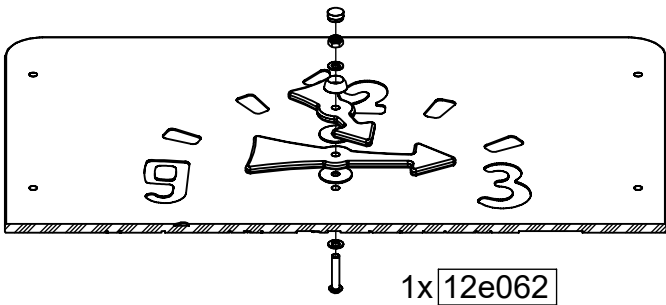
X



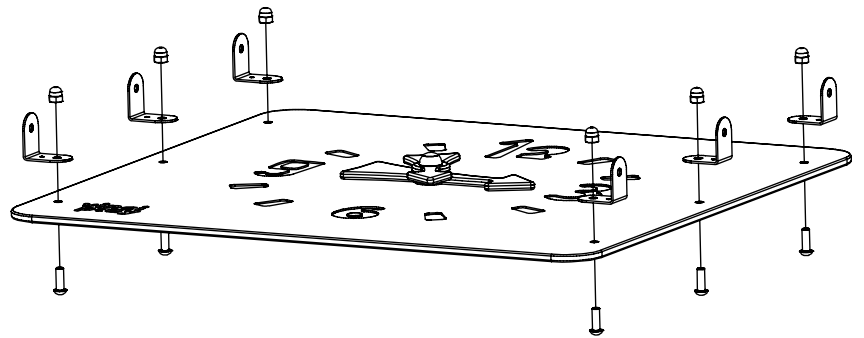
V



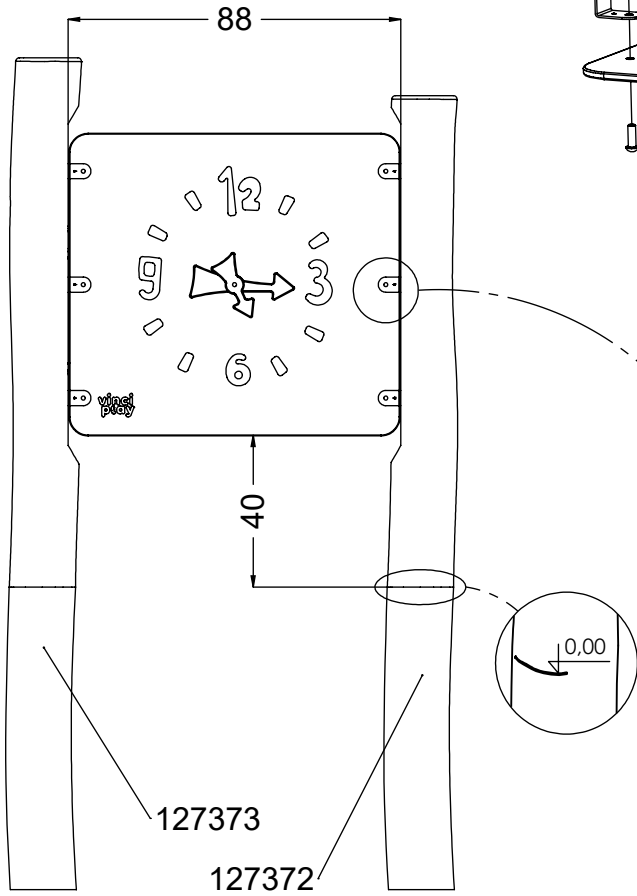




1x 12e062

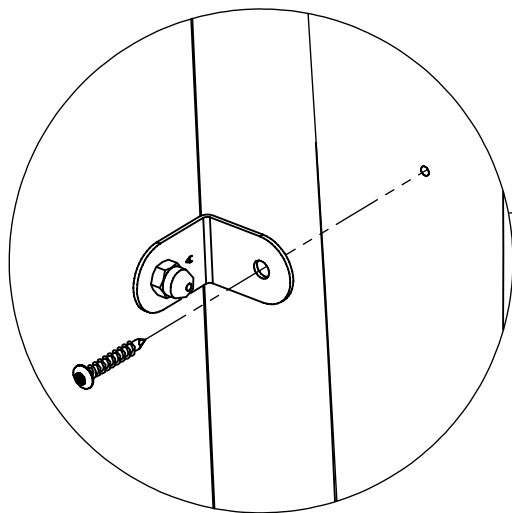
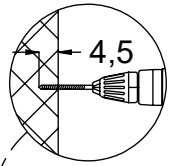
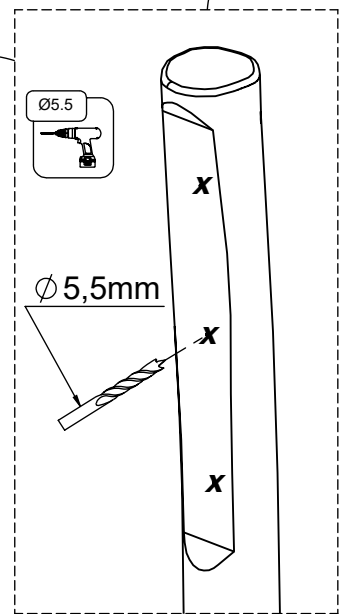
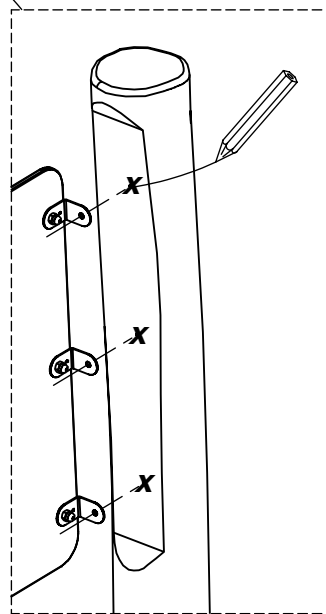
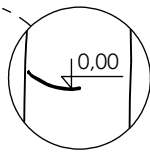


1x 12e060



127373

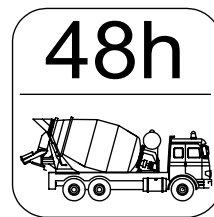
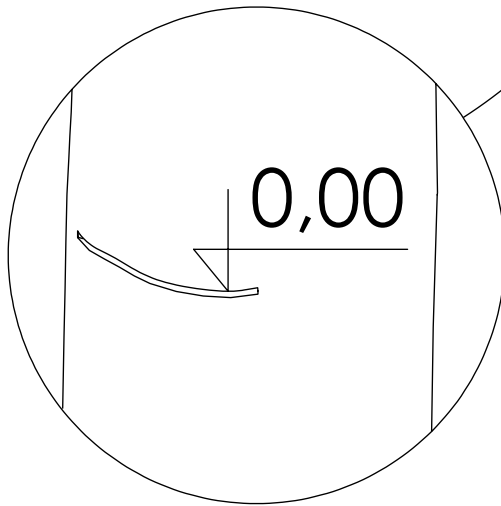
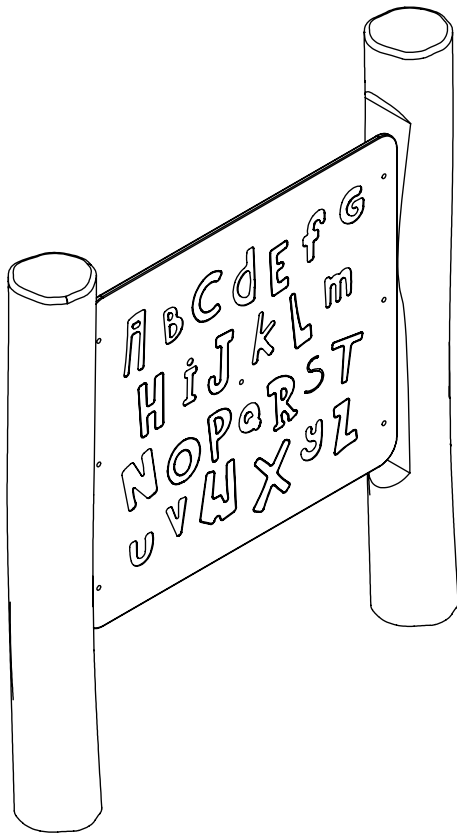
127372

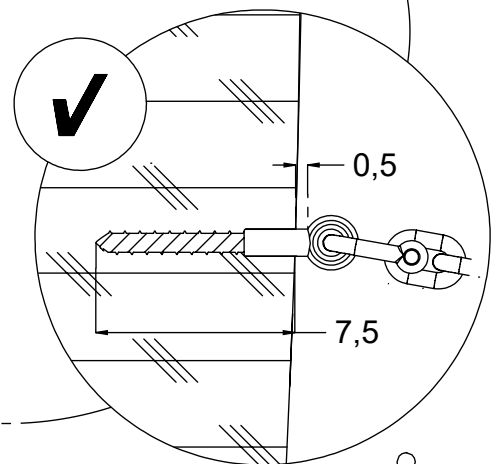
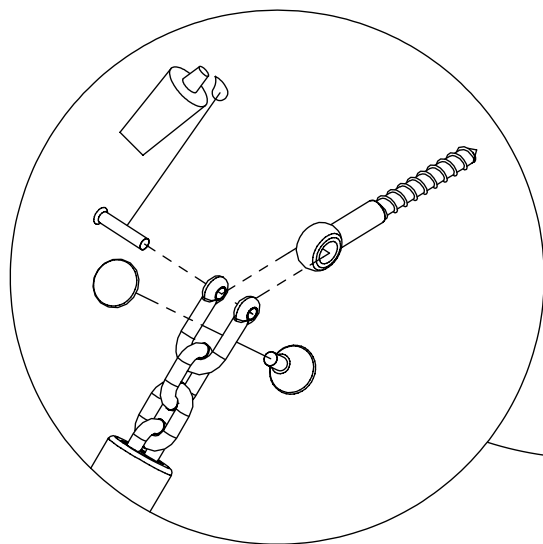
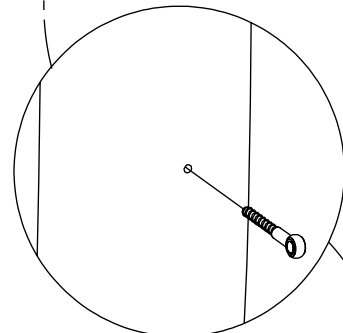
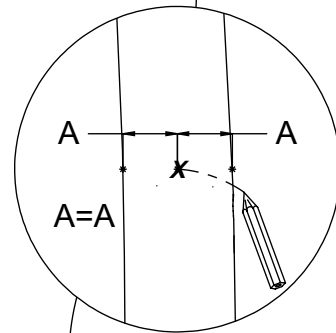
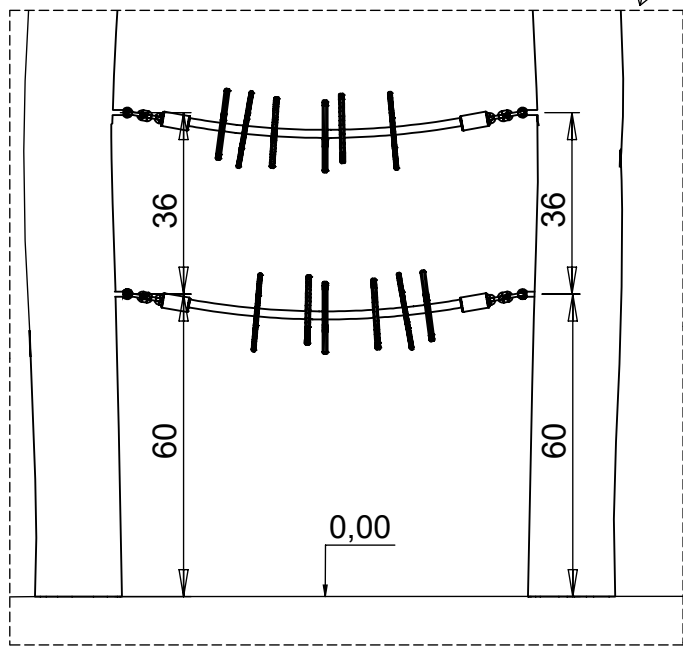
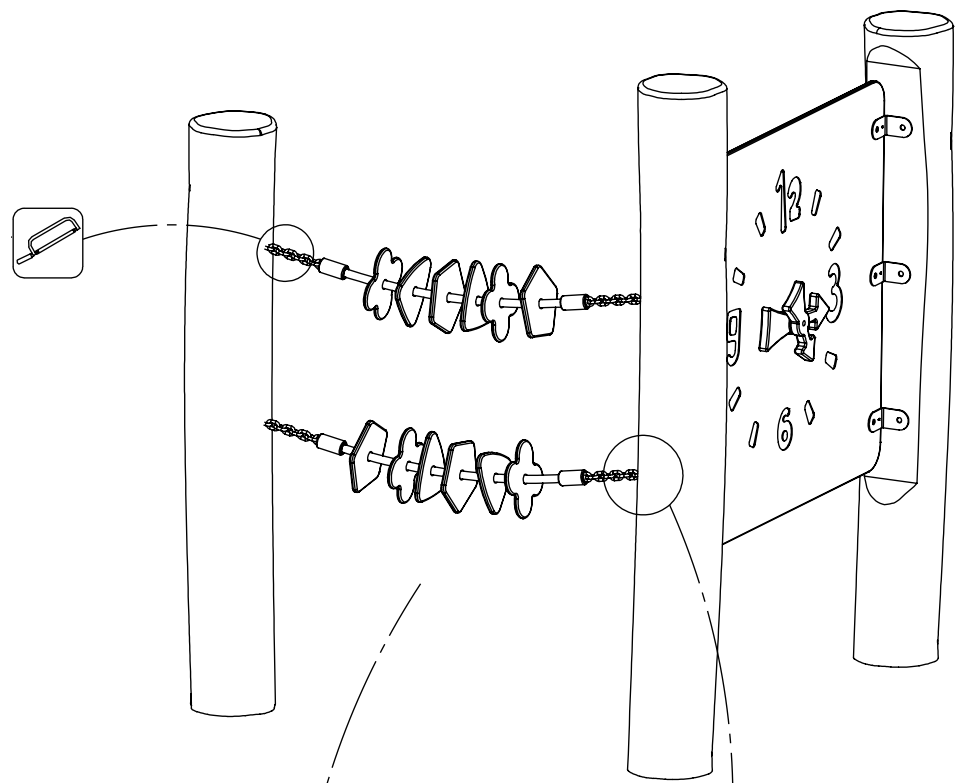


6x 8x50sxi

[cm]

vinci play

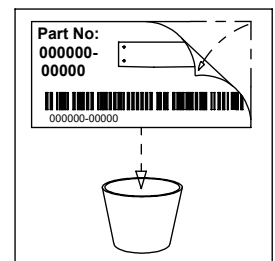
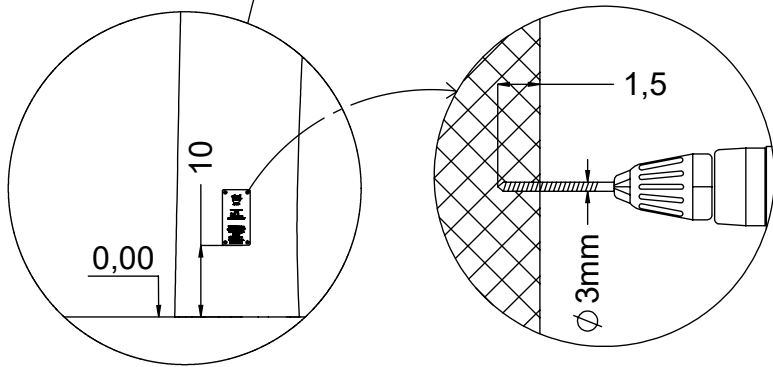
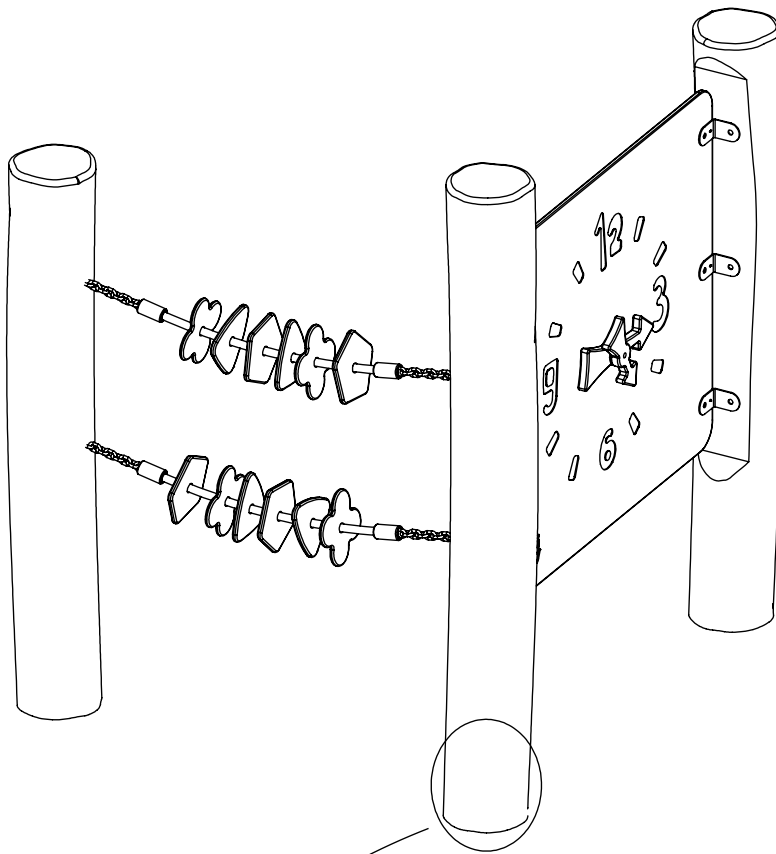




2x 12e007

[cm]

vinci  
play



[cm]

vinci  
play